

4

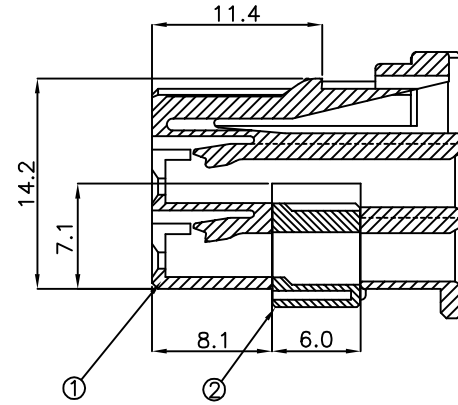
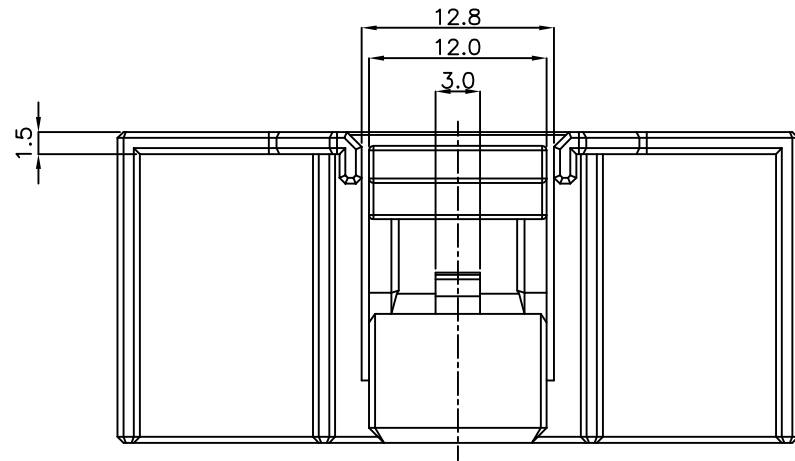
3

2

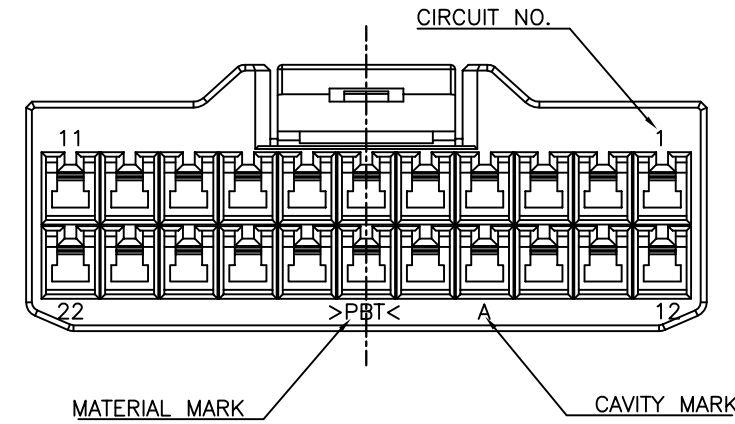
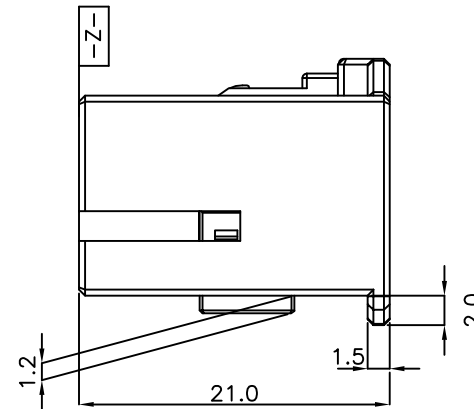
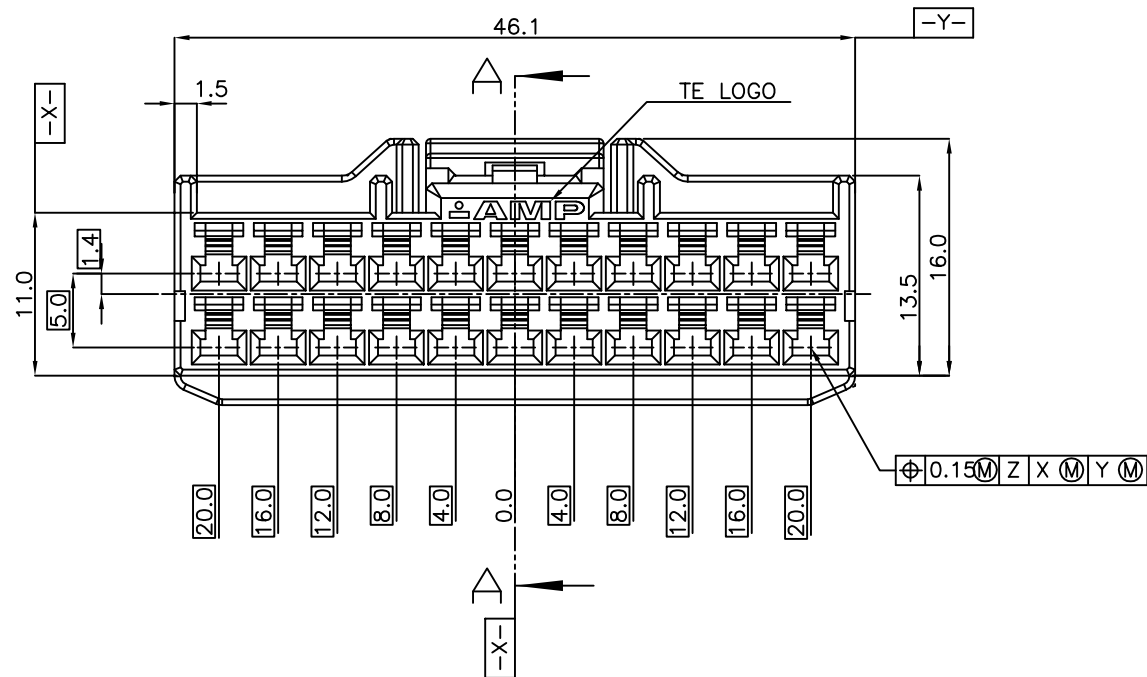
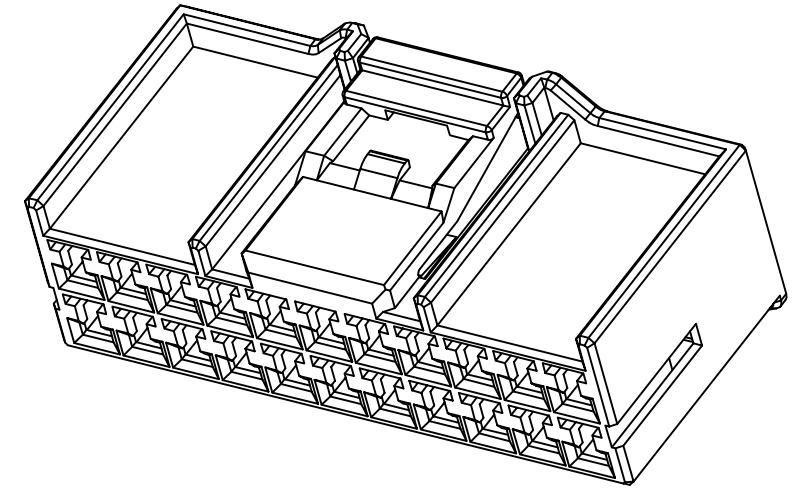
1

THIS DRAWING IS UNPUBLISHED. RELEASED FOR PUBLICATION  
COPYRIGHT BY TYCO ELECTRONICS CORPORATION, ALL RIGHTS RESERVED.

LOC	DIST	REVISIONS					
		P	LTR	DESCRIPTION	DATE	DWN	APVD
DS	-		C	REVISED (ECR-10-005069)	15.MAR.'10	YM	HG
			C1	REVISED (ECR-15-000866)	20.JAN.'15	SJ	HG



SECTION A-A



ASSY P/N	QTY
1-936151-3	1
0-936151-8	1
0-936151-7	1
0-936151-6	1
0-936151-5	1
0-936151-4	1
0-936151-3	1
0-936151-2	1
0-936151-1	1

NO	COLOR	MATERIAL	DESCRIPTION	P/N	QTY
1	D/GRAY	PBT	PLUG	1-936152-3	1
	BLUE	PBT	PLUG	0-936152-8	1
	GREEN	PBT	PLUG	0-936152-7	1
	RED	PBT	PLUG	0-936152-6	1
	YELLOW	PBT	PLUG	0-936152-5	1
	BROWN	PBT	PLUG	0-936152-4	1
	L/GRAY	PBT	PLUG	0-936152-3	1
	BLACK	PBT	PLUG	0-936152-2	1
	NATURAL	PBT	PLUG	0-936152-1	1
2	NATURAL	PBT	DBL	0-936153-1	1 1 1 1 1 1 1 1 1 1

NOTES.  
 1. THE MATING HSG. P/N ; 936154  
 2. APPLIED CONTACT P/N ;  
 090 II REC. - 368083, 368084, 368085  
 090 III REC. - 1743654, 1743655, 1743656, 1897753, 1897598

-추가-

1. 상대 하우징 P/N. ; 936154  
 2. 적용단자 P/N. ; 090 II REC.- 368083,368084,368085  
 090 III REC.- 1743654,1743655,1743656,1897753,1897598

DIMENSIONS: MM		TOLERANCES UNLESS OTHERWISE SPECIFIED: 0 <XX<10 ± 0.2 10<XX<30 ± 0.25 30<XX ± 0.3 ANGLES ± 3°	
MATERIAL		FINISH	
SEE TABLE			

DWN SJ CHOI  
 CHK JW JUNG  
 APVD HG CHD  
 PRODUCT SPEC -  
 APPLICATION SPEC -  
 WEIGHT -

**TE** TE Connectivity

NAME: 090III 22P PLUG ASS'Y

SIZE: A3 CAGE CODE: 00779 DRAWING NO: C-936151 RESTRICTED TO: -

CUSTOMER DRAWING SCALE: 2/1 SHEET: 1 OF 1 REV: C1